



# SL-01-G3



## Better solutions for All in one Solar Light



IP66 water-proof



ALL-IN-ONE



Easy Installation



190lm/W

Operating Temp.: -5°C ~+50°C

Storage Temp.: -20°C ~+50°C



## Options

### CCT

3000K  
4000K  
5000K  
5700K

### Beam Angle

Type II-M(160\*80°)

## Application

Pathway, Parking lot, Garden, Schools, Residential area, Villas, Resorts, Factories, Landscape, Architectural decorative lighting, Village roads and other places.

## Specifications

Item	SL50W-01-G3	SL90W-01-G3	SL120W-01-G3
Solar Panel	50W/18V	90W/18V	120W/18V
Solar Cell	High Efficiency Monocrystalline Silicon		
Lithium Battery	18AH/12.8V	30AH/12.8V	42AH/12.8V
Luminous Efficacy	190Lm/W		
Lamp Power	30W	50W	70W
Led	SMD5050		
CRI	>70		
Beam Angle	Type II-M(160*80°)		
Lighting time	5-7 Rainy day(full charged)		
Weight	18kg(39.7lbs)	21kg(46.3lbs)	31kg(68.3lbs)
Pole top diameter	Ø60-78mm		
Mounting height	5~15m		
Installation space	10~30m		

## Lighting Modes Options

Option 1 :

At night, T1: 100%-2H; T2: 60%-2H; T3: 10%-7H; T4: 20%-4H.

For example, when the led solar panel street light turn-on at 6:00 pm,

T1: 100%-2hr on 6:00pm-8:00pm,

T2: 60%-2hr on 8:00pm-10:00pm,

T3: 10%-7hr on 10:00pm-5:00am

T4: 20%-4hr on 5:00am-dawn.

### Sensing Lighting Modes Options

Option 1:

At night, T1: 100%-9H; T2: 100%-6H. Light on 100% if motion detected, Stand-by period 60 seconds, Light on 10% if no motion detected.

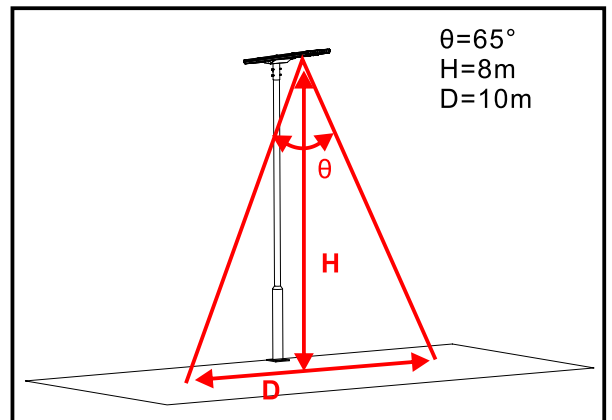
For example, when the led solar panel street light turn-on at 6:00 pm,

6:00 pm - dawn (Light on 100% if motion detected, Stand-by period 60 seconds, Light on 10% if no motion detected).

**Remarks:** The street lights' turn-on time depends on the clients' local time(Turn-on Light Level: <20lux).

**Customized modes available.**

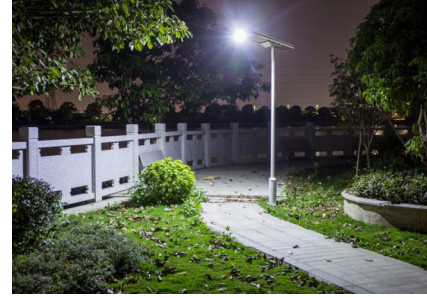
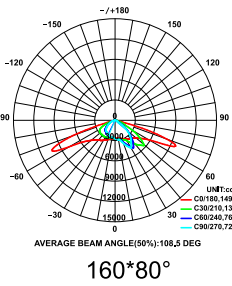
## Sensing Range



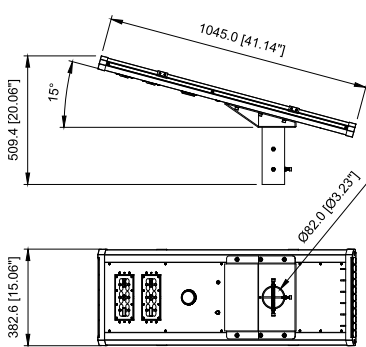
# SL-01-G3 All in one Solar Light



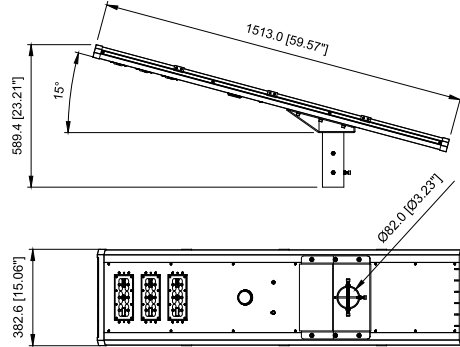
## Photometry



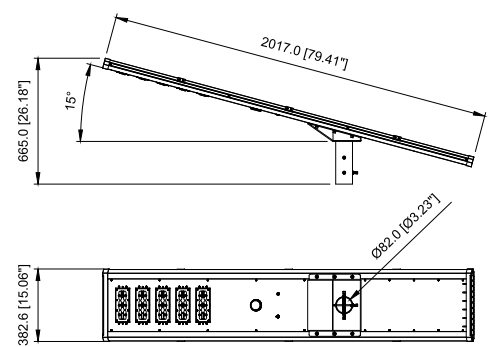
## Dimensions(mm)



50W



90W

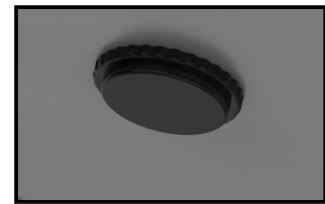


120W

## Model Options



## Sensor Optional



## Installation and use

- The standard package include Street light and Street Light head.
- Use 6pcs M8 screws to lock the street lamp head with the lamp body.
- Install the street light on the pole, then tighten street light head with 5pcs M8 screws.
- Optional: Use an internal hexagonal tool to Loosen the 2pcs M4 screws of module, then adjust the module to suitable angle.
- Optional: Each module can adjust ±20°, tightened the screw to complete the installation.

## Packing Spec

Item	Box			Carton		
	Measurement(mm)	Gross weight	Pcs/box	Measurement(mm)	Gross weight	Pcs/box
SL50W-01-G3	Solar Lamp : L1140*W485*H160	15.0kg(33.1lbs)	1	/	/	/
	Street Light Head : L400*W345*H320	7.5kg(16.5lbs)	1	/	/	/
SL90W-01-G3	Solar Lamp : L1610*W485*H160	18.5kg(40.8lbs)	1	/	/	/
	Street Light Head : L400*W345*H320	7.5kg(16.5lbs)	1	/	/	/
SL120W-01-G3	Solar Lamp : L2115*W485*H160	29.0kg(63.9lbs)	1	/	/	/
	Street Light Head : L400*W345*H320	7.5kg(16.5lbs)	1	/	/	/